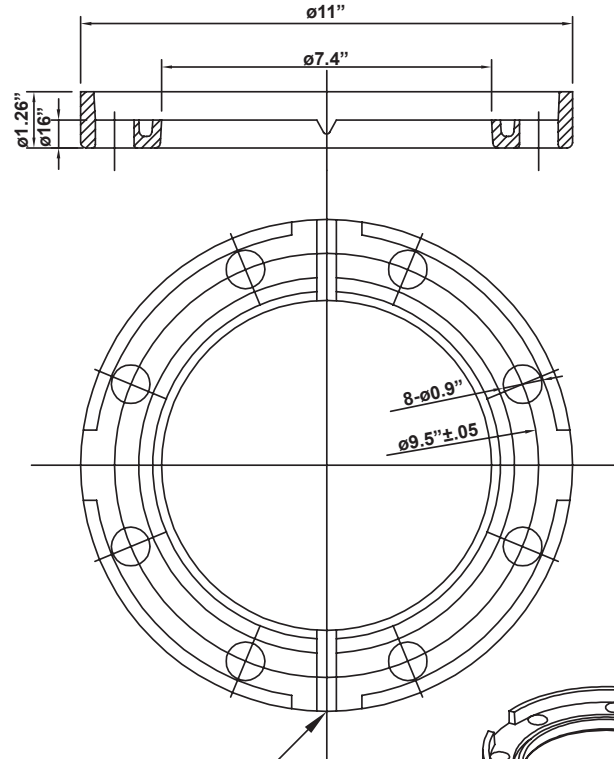
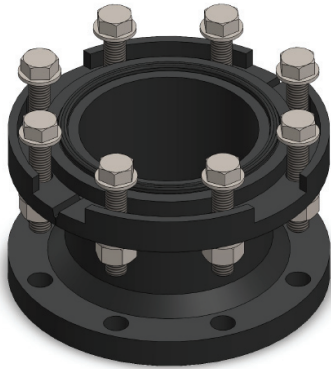
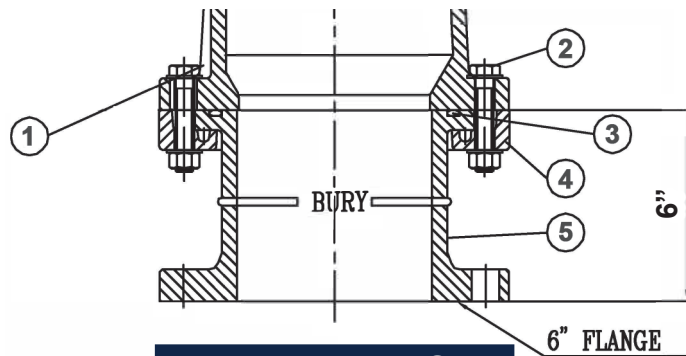


Model F-08-301

Breakaway Traffic Flange for F-08 Wet Barrel Hydrant



- Flange Drilling**
- 10 - ANSI 125, 8 hole
 - 20 - California, ANSI 125, 6 hole
 - 30 - San Diego, ANSI 125 special 6 hole
- Add suffix 10, 20 or 30 to part number for drilling type.



MATERIAL LIST

Item No.	Part No.	Description	Material
1	F08	Hydrant Body	Ductile Iron ASTM A536, 65-45-12
2	301-28	Bolts	Zinc Plated Carbon Steel
3	301-29	O-Ring	NBR
4	301-30	Breakaway Traffic Flange	Cast Iron ASTM A126
5	F01-31	Lower Barrel	Ductile Iron ASTM A536, 65-45-12

Design and materials are subject to change without notice.
Dimensions in inches



WARNING: This product can expose you to chemicals including lead, which is known to the State of California to cause cancer and birth defects or other reproductive harm. For more information go to www.P65Warnings.ca.gov.



United Water Products
8710 Air Park West Drive, Charlotte, NC 28214
TEL. 877-766-4459
Website: www.unitedwaterproducts.com